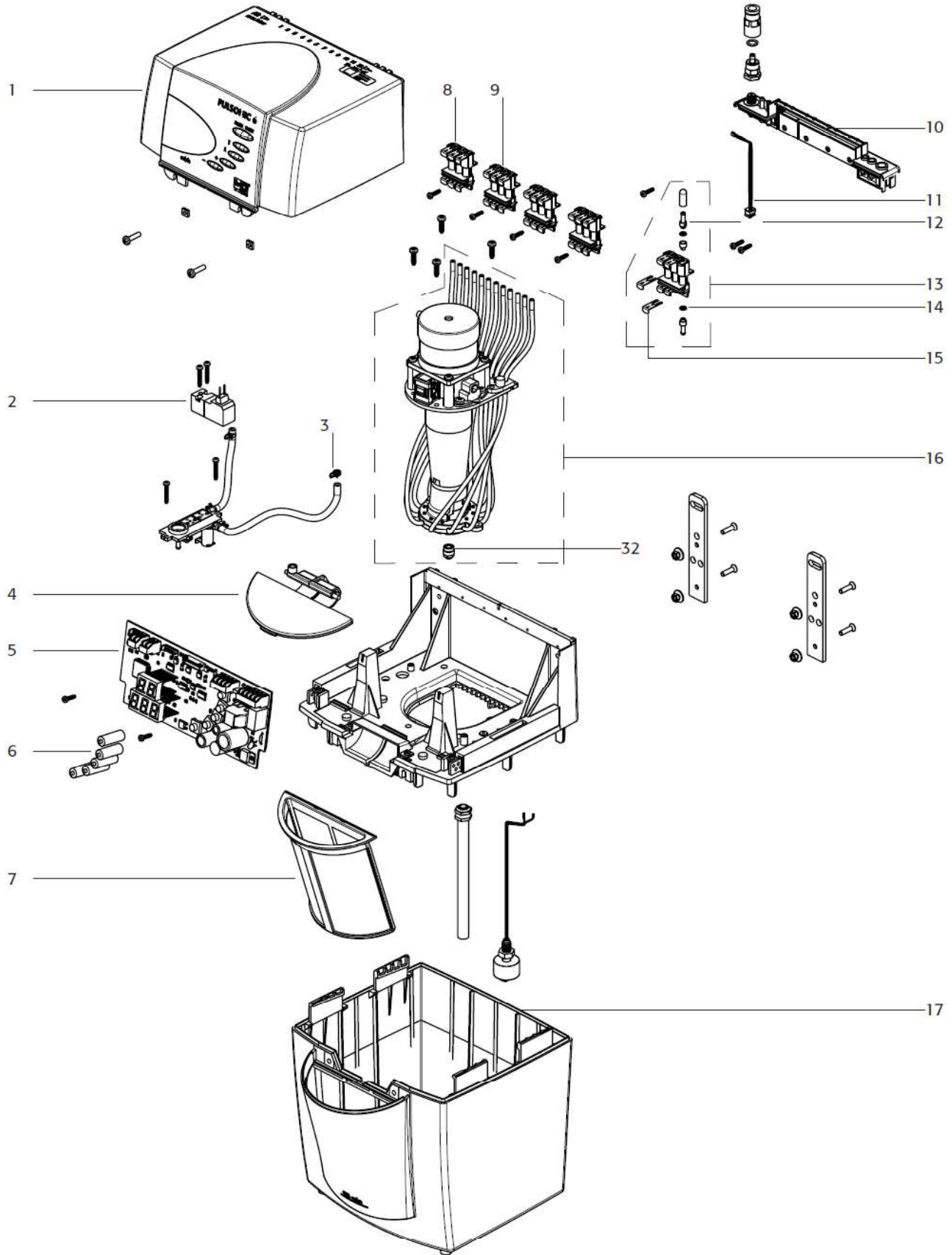


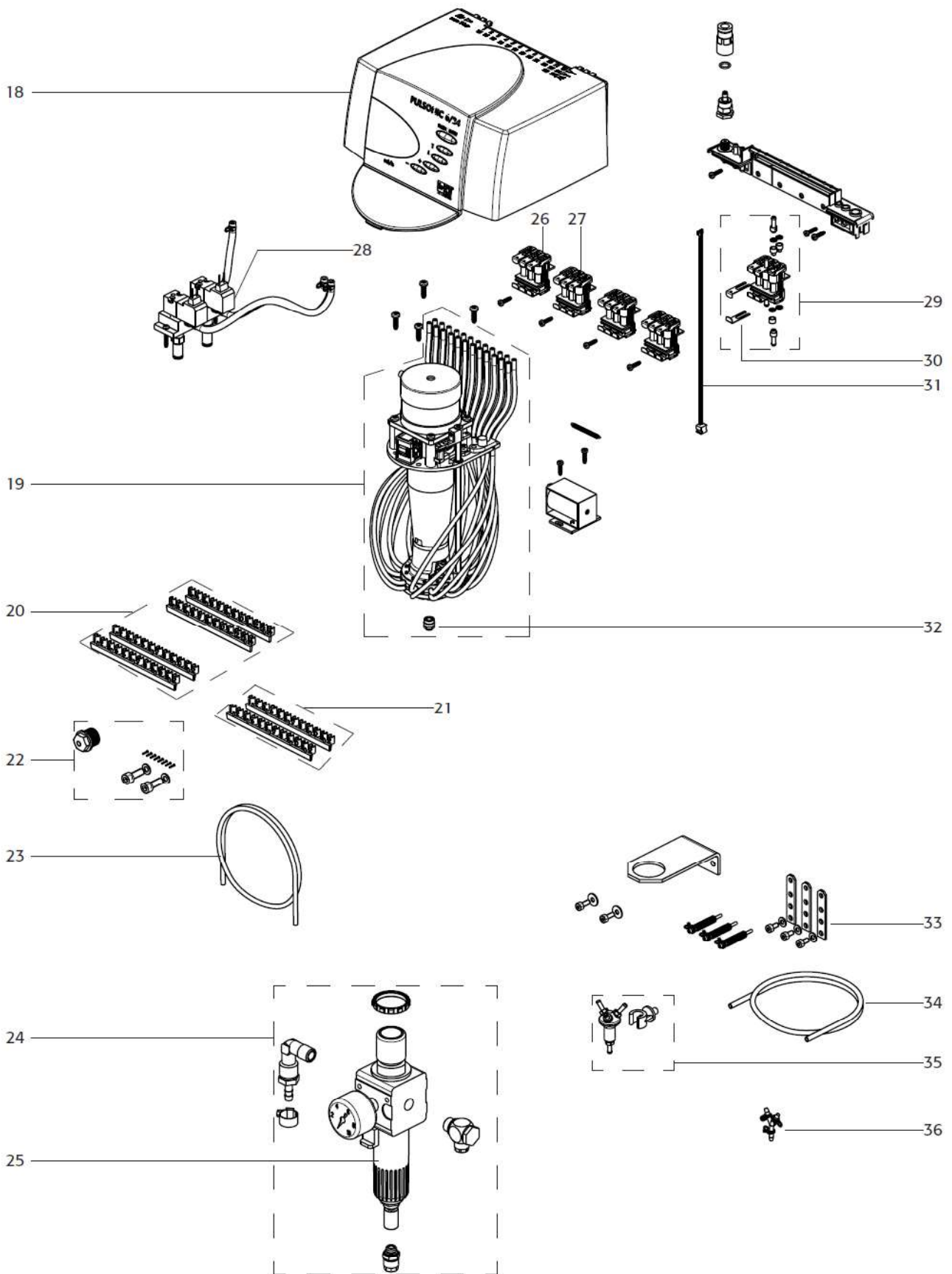
PULSONIC 6

Circular knitting

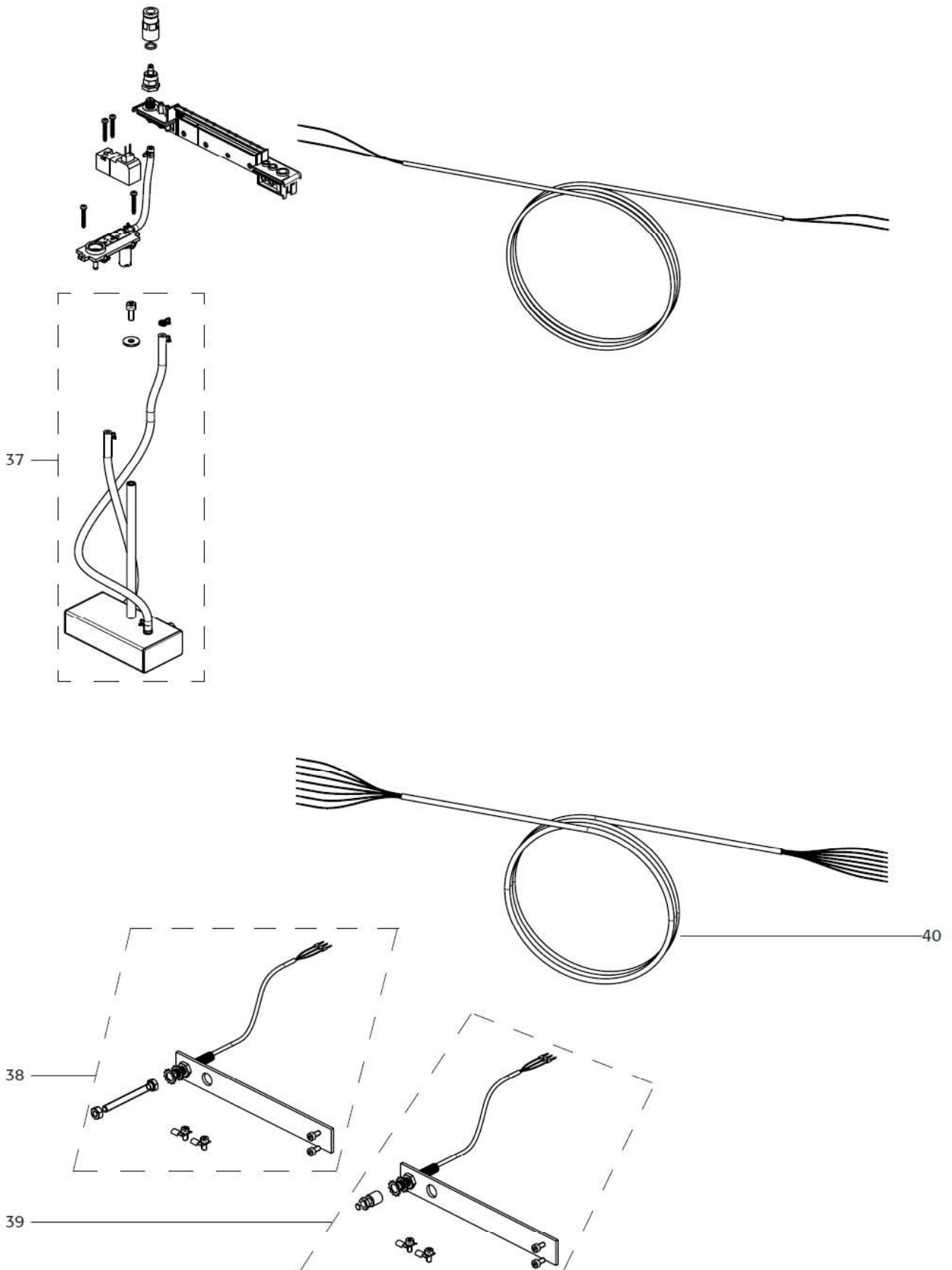


PULSONIC 6

Circular knitting



PULSONIC 6



PULSONIC 6

Position-no.	Art. No.	Description	Unit	Price €
1	050-100-347-10	Cover PULSONIC 6	pc	79.41
2	000-653-022	Solenoid valve 3/2 12VDC	pc	37.45
3	000-616-020	Clamp for plastic hose for d6,0	pc	0.33
4	050-100-395-10	Cover with pressure spring and cylindrical pin for PULSONIC 6	pc	14.89
5	050-100-758	Electronic PULSONIC 6 cpl.	pc	186.16
6	050-260-076-10	Button cap	pc	1.47
7	050-290-054	Fill-in filter	pc	15.57
8	050-100-387	Oil flow detection block 1 x magnet, 2 x ball for PULSONIC 5.2	pc	14.68
9	050-100-388	Oil flow detection block 3 x ball for PULSONIC 5.2	pc	13.99
10	050-260-068-10	Oil flow detection holder	pc	11.84
11	050-100-283-01	Oil flow detection sensor for Pulsonic 5.2 & P6 Oiler	pc	9.93
12	050-260-084	Hose socket	pc	1.47
13	050-100-389	Oil flow detection block 2 x ball, 1 x NHL for PULSONIC 5.2	pc	16.36
14	000-625-032	O-ring 3,8x1,25	pc	0.22
15	050-270-027	Hose safety clip	pc	0.59
16	050-100-315-20	distributor P6 with ratchet also suitable for P5.2	pc	336.10
17	050-260-077	Oil reservoir	pc	37.23
18	050-100-347-12	Cover PULSONIC 6/24	pc	83.46
19	050-100-315-21	distributor with ratchet P6/24 also suitable for P5.2/24	pc	411.71
20	050-100-716-01	2 sets hose numbering 1 - 24	pc	8.56
21	050-100-716	2 sets hose numbering 1 - 12	pc	4.29
22	050-100-220-05	Set small parts for PULSONIC 5.2	pc	2.56
23	050-100-720-15	Pressure hose transparent for Pulsonic, 15 meter	pc	10.33
23	050-100-720-25	Pressure hose transparent for Pulsonic, 25 meter	pc	17.23
23	050-100-720-35	Pressure hose transparent for Pulsonic, 35 meter	pc	24.11
23	050-100-720-50	Pressure hose transparent for Pulsonic, 50 meter	pc	34.45
24	050-100-165	Filter pressure regulator with automatic condensation run-off [for needle head lubrication and Flush-Wash]	pc	96.31
25	000-655-008-02	Filter pressure regulator R1/4 with automatic condensate drain, water bowl metal and manometer d40	pc	109.79
26	050-100-623	Oil flow detection block 2 x magnet, 4 x ball for PULSONIC 5.2/24	pc	29.33
27	050-100-624	Oil flow detection block 6 x ball for PULSONIC 5.2/24	pc	28.01
28	000-653-022	Solenoid valve 3/2 12VDC	pc	37.45
29	050-100-715	Oil flow detection block 4 x ball, 2 x NHL for PULSONIC 5.2/24	pc	32.79
30	050-270-078	Hose safety clip 2-way	pc	0.68
31	050-100-714	Oil flow detection sensor	pc	16.77
32	050-100-318	Inlet valve	pc	9.59
33	050-410-005	Fixing for spray nozzle M6	pc	2.83
34	050-100-721-01	Plastic hose transparent, 1 meter	pc	0.92
34	050-100-721-02	Plastic hose transparent, roll of 100 meter	pc	92.23
35	050-100-288	NHL distributor 3-way	pc	21.32
36	050-100-718	NHL distributor 2-way with holder	pc	5.33
37	050-100-398	Flush wash tank for Pulsonic 5.2.	pc	86.85
38	050-100-215	Machine cycle sensor, sensing distance max. 2mm, 2 m cable	pc	34.50
39	050-100-215-01	Machine cycle sensor, sensing distance 12mm, 2 m cable	pc	55.34
40	050-200-062-01	Connecting cable 7 x 0.5 sq.mm x 5300 mm black	pc	25.06